



FUTURE MED İÇ VE DIŐ TİCARET LTD. ŐTİ



14x17

17x17

Wireless Flat Panel Detector

Made in Austria

www.futuremed-tr.com

Flat Panel Detector

Solutions for Stationary Systems - Dynamics/Statics Inspection

X-Ray Inspection is an indispensable process for the equipment used in industries, like automobile, aerospace, vessel, battery, electronics, etc.



Wireless Flat Panel Detector

X-Ray Detector for Stationary Inspection

Flat Panel Detector



Wireless Flat Panel Detector

Smart 14x17-inch wireless, cassette-sized FPD for radiographic imaging. It features reliable AED, dependable wireless performance, and a long battery life. This Flat supports a fast work flow, and is the optimal choice for both retrofit and new DR system solutions.

Features:

- Wireless cassette detector per ISO 4090, fits in bucky
- 150 µm pixel pitch, with 16 bit ADC for more image details
- Stable iSync+ Automatic Exposure Detection (AED)
- Dual band (2.4 and 5 GHz) wireless support with easy sharing
- Long battery life and smart workflow
- Direct deposition CsI for better image quality with lower dose

Colenta[®]
Made in Austria

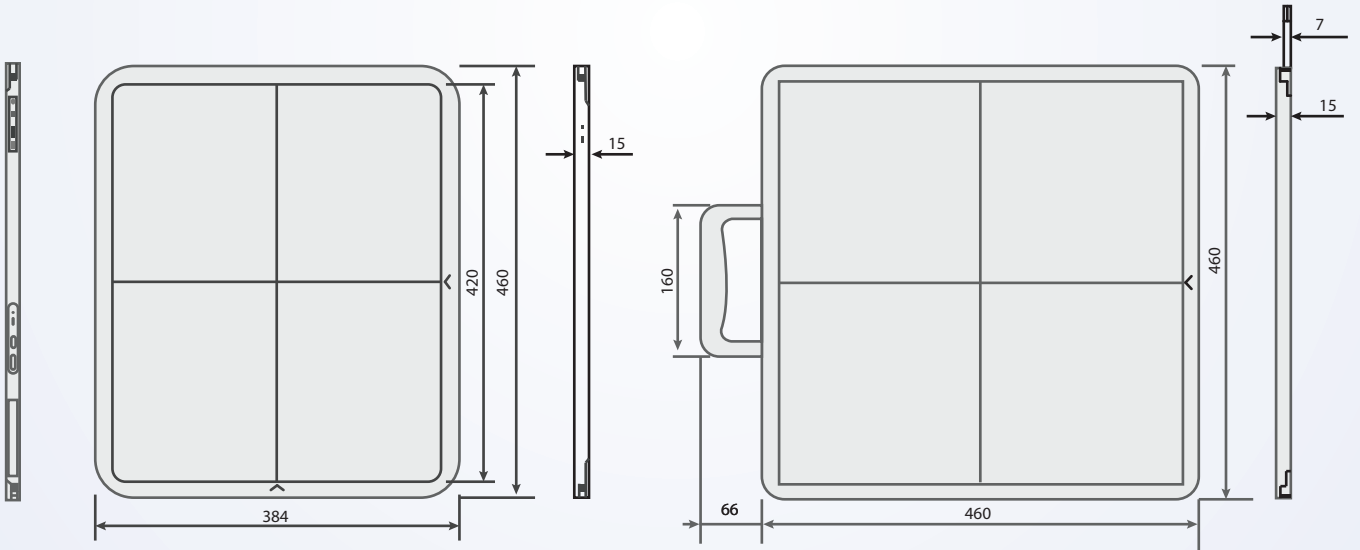
Technical Specifications

Technical Parameters	
Detector Technology	Amorphous Silicon
Scintillator	CsI
Active Area (inch)	14 × 17
Pixel Matrix	2304 × 2800
Pixel Pitch (µm)	150
Spatial Resolution (lp/mm)	3.4
AD Conversion (bit)	16
Battery Autonomy (h)	8
WIFI	2.4G and 5G IEEE802.11 a/b/g/n/ac
Trigger Mode	AED (optional) / Software
Full Image Time (s)	5
Dimension (mm)	384 x 460 x 15
Weight (kg)	3.3
Static Loading (kg)	150 Uniformly
Ingress Protection	IPX1
Operating Temperature (°c)	5~35
Storage & Transport Temperature with Package(°c)	-20~55
Operating Humidity (% RH)	10~90 (Non-Condensing)
Storage & Transport Humidity with Package (% RH)	5~95 (Non-Condensing)

Flat Panel Detector



FUTURE MED İÇ VE DIŐ TİCARET LTD. ŐTİ



Wireless Flat Panel Detector

FUTURE MED

Halil Rifat PaŐa Mah. Yüzer Havuz sk.
Perpa Ticaret Merkezi B Blok Kat.5
NO:184 ŐiŐli / İstanbul / Turkey

Tel : +(90) 212 210 21 42
Mobile/WhatsApp :+(90) 533 784 42 95
email : info@futuremed-tr.com